

M-Bus + KNX Inside

25-2.500 data points

Webinterface

Real time clock

Upgradeable

Dropbox (Option)

ARM9 Processor



## M-Bus + KNX

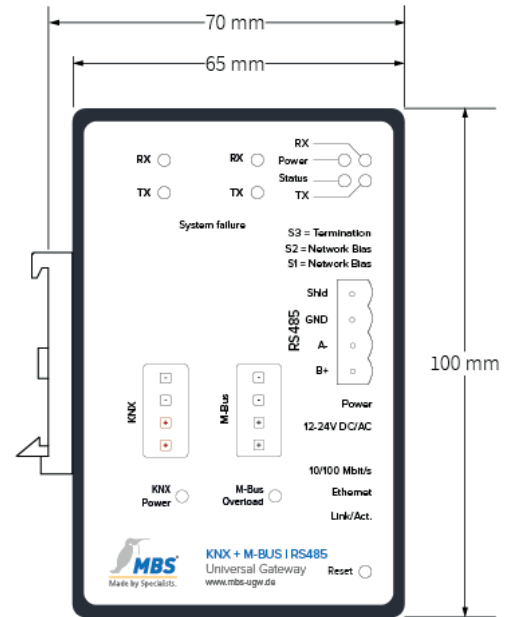
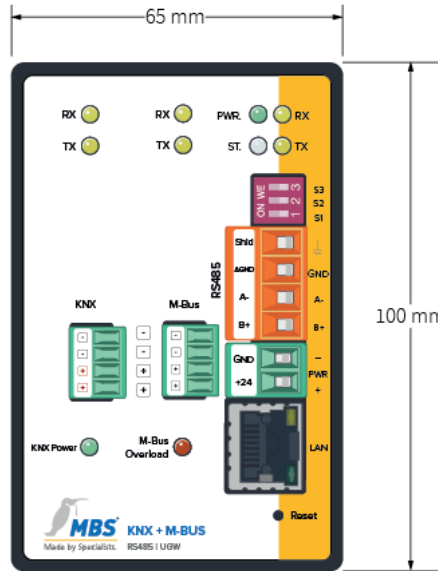
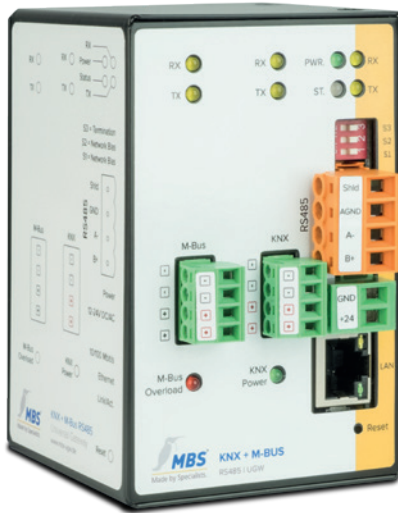
Increase productivity and reduce costs

The MBS gateways are based on the same product platform and therefore offer an extraordinary degree of versatility and flexibility: new gateway purchases are rendered unnecessary because the devices' adaptability means new functionalities can simply be activated. The integrated M-Bus+KNX-adapters make the usual external bus couplers unnecessary, reducing the amount of wiring required and enabling faster connection to serial or network-based communication protocols.

# Triple-X | Universal Gateway

## M-Bus + KNX

Specifications\*



### Standard

#### LAN

RJ45: 10/100 MBit Ethernet  
Link: indicates a LAN connection  
10/100: Indicates the connection speed

#### PWR - Power

Power supply  
V+: +12 to +24V DC or 12 to 24V AC  
V-: GND or 12 to 24V AC

#### LED

Power: Illuminated as soon as the device is connected to a suitable operating power supply  
ST.: Multicolor status LED  
RX: Flashes when the device is receiving data  
TX: Flashes when the device is sending data

### VERSION RS232

#### COM1

RS232  
TXD: Sending line  
RXD: Receiving line  
GND: Ground connection  
Shld: Shielding

### DIP-switch

1: Not used  
2: Not used  
3: Not used

### VERSION RS485

#### COM1

RS485  
B+: Non-inverted input  
A-: Inverted input  
GND  
Shld: shielding

### DIP-switch

Bias: voltage  
Bias: voltage  
120 Ohm: Termination resistance

### M-Bus

M-Bus  
+ M-Bus Connection  
+ M-Bus Connection  
- M-Bus Connection  
- M-Bus Connection

### Integrated M -Bus level converter

For up to 30 standard loads max . 1.5mA , Master mode

### LED

5 M-Bus RX  
6 M-Bus TX  
7 M-Bus Overload

### KNX

#### KNX

+ KNX Connection  
+ KNX Connection  
- KNX Connection  
- KNX Connection

### LED

KNX RX  
KNX TX  
KNX Power

### Specification

**Power consumption:** 2,4 watts

**Weight:** 400 Gramm

**Dimensions:** Height: 100mm, Width: 65 mm, Depth: 70mm (inclusive DIN-Top-hat rail adapter)

**Ambient temperature:** 0...45°C, 32...113°F

**Ambient humidity:** 20...80 percent relative humidity, non-condensing

**Assembly:** DIN top-hat rail TS35 in accordance with EN 60715

We offer the M-Bus + KNX Gateway with 25, 200, 500, 1.000 oder 2.500 data points. Please select your universal gateway!

\*This product is CE certified  
\*Specifications subject to change